

## Paneel

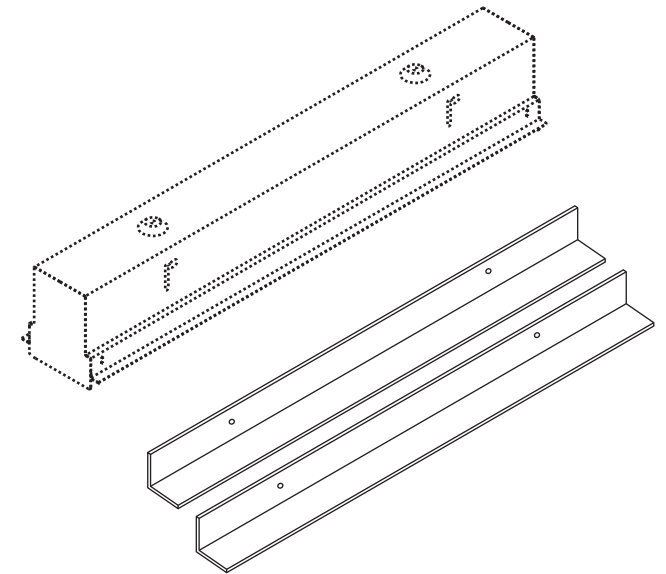
Befestigungszubehör /  
fastening accessories

5LF9011 (5LF4...)

5LF9012 (5LF4...)

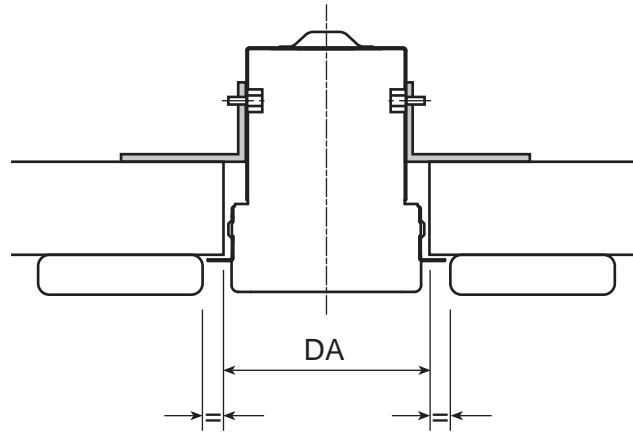
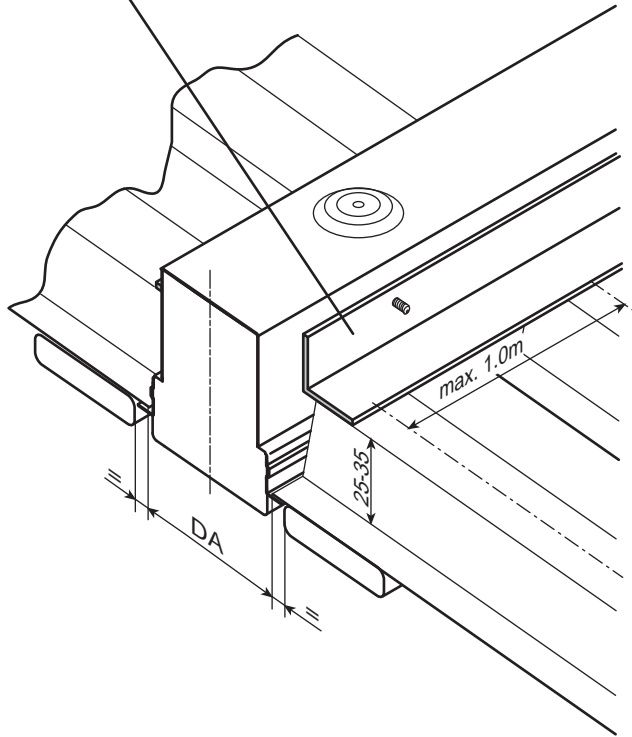
5LJ490 2-0CC (5LJ49..)

5LJ490 2-0EC (5LJ49..)





18W/36W	5LJ490 2-0CC
28W/54W	5LF9011
58W	5LJ490 2-0EC
35W/49W/80W	5LF9012



MLFB	5LJ490 1-lp.	5LJ490 2-lp.
DA	90-2	190-2

MLFB	5LF4... 1-lp.	5LF4... 2-lp.
DA	94-2	178-2