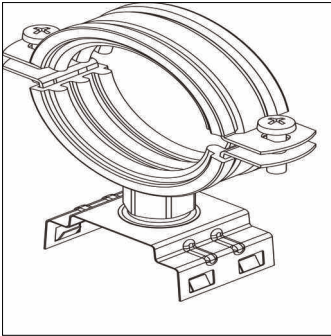


Order No.: 58FM004 | GTIN (EAN): 4058352426524

Product description: Mon11/21 pipe-cl.fix,surf

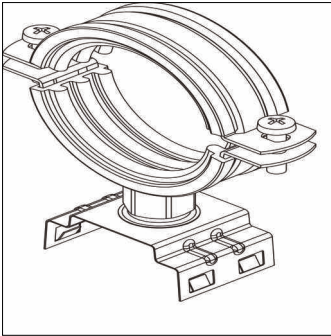


Monsun® 11/21, pipe clip fixing, installation type: surface-mounted, mounting set, consisting of each 2x pipe clamps of galvanised steel with rubber inlay, cylinder head screw, mounting clip for luminaire of V2A and 2x fixing reinforcement of UV-stabilised PC, clamping range: for pipe diameter 2", packaging unit: set of 2

Wt. (kg): 0.2
GTIN (EAN): 4058352426524

Order No.: 58FM004 | GTIN (EAN): 4058352426524

Detailed technical description: Mon11/21pipe-cl.fix,surf



Key data

- Product type: pipe clip fixing
- Product name: Monsun® 11/21
- Order No.: 58FM004

Mounting

- Mounting method, mounting location: surface-mounted, to tube
- Clamping range: for pipe diameter 2"

Dimensions, Weight

- Weight: 0.2kg