

Order No.: 5XA512832S008 | GTIN (EAN): 4058352546406

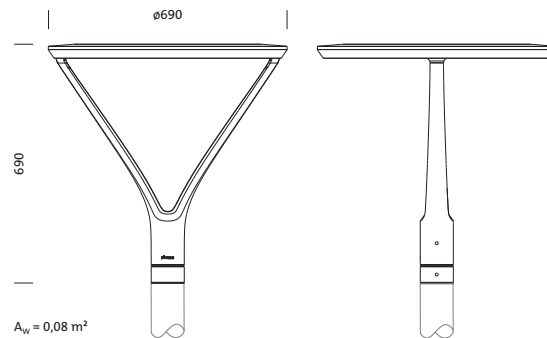
Product description: DL20,PL1.2s,3040lm722,Plus



DL® 20, mast luminaire, primary light control with reflector, highly specular, primary optical cover: cover, of toughened safety glass of clear glass with excellent transmission level, light distribution: PL1.2s, light emission: direct distribution, primary light characteristic: symmetric, installation type: post-top, LED, High Power LED, rated luminous flux: 3.040lm, luminous efficacy: 86lm/W, light colour: 722, colour temperature: 2200K, control gear: ECG Plus, control: flexible luminous flux parameterisation, time-dependent luminous flux control, constant luminous flux control, digital communication interface, power reduction, overheat protection, electronic power reduction, mains connection: 230..240V, 50/60Hz, connection cable pre-assembled, cable length: 5m, start of lifetime: 36W, end of service life: 36W, reduction: 17W, luminaire housing, upper part, of cast aluminium, powder-coated, Siteco® metallic grey (DB 702S), diameter: 690mm, height: 690mm, spigot size: 76mm (post-top), luminaire housing, of cast aluminium, powder-coated, Siteco® metallic grey (DB 702S), equipment: standard, protection rating (complete): IP66, insulation class (complete): insulation class II (safety insulation), certification: CE, ENEC, VDE, impact resistance: IK08, permissible operating ambient temperature: -25..+35°C, standard-compliant lighting for roads and squares, packaging unit: 1 piece



Lamps:	LED
Wt. (kg):	13.5
GTIN (EAN):	4058352546406



It is mandatory that the assembly instructions must be observed when planning and installing the electrical installation (to be found at www.siteco.de)

Tolerances related to thermal, electrical and photometric data according to IEC 62722

Issued 17.02.2024 - Modifications and errors subject to change - Ensure that you always use the latest version -

Order No.: 5XA512832S008 | GTIN (EAN): 4058352546406

Detailed technical description: DL20,PL1.2s,3040lm722,Plus



Key data

- Product type: mast luminaire
- Product name: DL® 20
- Order No.: 5XA512832S008

Lighting technology | Lamps | Control gear

Component 1

Lighting technology:

- Light control: reflector, highly specular
- Cover: cover
- Light distribution: PL1.2s
- Beam angle: wide distribution
- Symmetry: symmetric distribution
- Light emission: direct distribution

Lamps:

- Lamps: with High Power LED, LED
- Rated luminous flux: 3040lm
- Luminous efficacy: 86lm/W
- Colour temperature: 2200K
- Colour rendering index: CRI > 70
- Light colour: 722
- Rated input power begin service life: 36
- Rated input power end service life: 36
- Rated input power at 50% lumin. flux: 17

Operating device:

- Control gear: ECG Plus
- Control: Plus
- Equipment: overheat protection, power reduction, digital communication interface, constant luminous flux control, time-dependent luminous flux control, flexible luminous flux parameterisation
- Switching method: electronic power reduction

Certificates, Standards

- Protection rating: IP66
- Insulation class: insulation class II (safety insulation)
- Impact resistance: IK08
- Temperature range (operation): -25..+35°C
- Supplement: standard-compliant lighting for roads and squares
- Certification, designation: CE, ENEC, VDE

Material, Colour

- luminaire housing, upper part: cast aluminium, powder-coated, Siteco® metallic grey (DB 702S)
- Colour specification: Siteco® metallic grey (DB 702S)
- luminaire housing: cast aluminium, powder-coated, Siteco® metallic grey (DB 702S)
- Colour specification: Siteco® metallic grey (DB 702S)
- Cover: cover of toughened safety glass of clear glass with excellent transmission level

Mounting

- Mounting method, mounting location: post-top, on mast

Electrical connection

- Nominal voltage: 230..240V, 50/60Hz
- Surge voltage resistance: 6kV 1.2/50µs
- Connection cable: pre-assembled, L= 5m

Dimensions, Weight

- Diameter: 690mm
- Height: 690mm
- Weight: 13.5kg
- Mast spigot: spigot size: 76mm

Light emission

- Light emission: 0%

Service life

- Rated service life: 100000h (L95/B10) at AT = 25°C

Order No.: 5XA512832S008 | GTIN (EAN): 4058352546406

Dimensions: DL20,PL1.2s,3040lm722,Plus

