

Order No.: 5XA1563E1B208 | GTIN (EAN): 4058352168134

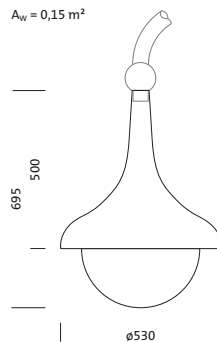
Product description: LgBell,ST1.2a,LED3210lm730,Plus



Large Bell, mast luminaire, primary light control with 3 zone faceted reflector, of plastic, silver coated, primary optical cover: enclosure, of PMMA, transparent structured, light distribution: ST1.2a, light emission: direct distribution, primary light characteristic: asymmetric, installation type: suspended mounting, LED, High Power LED, rated luminous flux: 3.210lm, luminous efficacy: 137lm/W, light colour: 730, colour temperature: 3000K, control gear: ECG Plus, control: flexible luminous flux parameterisation, time-dependent luminous flux control, constant luminous flux control, digital communication interface, power reduction, electronic power reduction, mains connection: 230..240V, AC, 50/60Hz, start of lifetime: 23W, end of service life: 24W, reduction: 12W, luminaire housing, bell-shaped, of glass-fibre reinforced polyester, coated, Siteco® metallic grey (DB 702S), please order curved mast extension separately, diameter: 530mm, height: 695mm, protection rating (complete): IP54, insulation class (complete): insulation class II (safety insulation), certification: CE, ENEC, VDE, impact resistance: IK08, standard-compliant lighting for roads and squares, packaging unit: 1 piece



Lamps:	LED
Wt. (kg):	7.8
GTIN (EAN):	4058352168134



Order No.: 5XA1563E1B208 | GTIN (EAN): 4058352168134

Detailed technical description: LgBell,ST1.2a,LED3210lm730,Plus



#### Key data

- Product type: mast luminaire
- Product name: Large Bell
- Order No.: 5XA1563E1B208

#### Lighting technology | Lamps | Control gear

#### Component 1

#### Lighting technology:

- Light control: 3 zone faceted reflector of plastic, silver coated
- Cover: enclosure, transparent structured
- Light distribution: ST1.2a
- Beam angle: wide distribution
- Symmetry: asymmetric distribution
- Light emission: direct distribution

#### Lamps:

- Lamps: with High Power LED, LED
- Rated luminous flux: 3210lm
- Luminous efficacy: 137lm/W
- Colour temperature: 3000K
- Colour rendering index: CRI > 70
- Light colour: 730
- SDCM (Standard Deviation of Colour Matching): MacAdam ≤ 5 SDCM (initial)
- Rated input power begin service life: 23
- Rated input power end service life: 24
- Rated input power at 50% lumin. flux: 12

#### Operating device:

- Control gear: ECG Plus
- Control: Plus
- Equipment: power reduction, digital communication interface, constant luminous flux control, time-dependent luminous flux control, flexible luminous flux parameterisation
- Switching method: electronic power reduction

#### Certificates, Standards

- Protection rating: IP54
- Insulation class: insulation class II (safety insulation)
- Impact resistance: IK08
- Supplement: standard-compliant lighting for roads and squares
- Certification, designation: CE, ENEC, VDE

#### Material, Colour

- luminaire housing: glass-fibre reinforced polyester, coated, Siteco® metallic grey (DB 702S), bell-shaped, please order curved mast extension separately
- Colour specification: Siteco® metallic grey (DB 702S)
- Cover: enclosure of PMMA

#### Mounting

- Mounting method, mounting location: suspended mounting, to curve

#### Electrical connection

- Nominal voltage: 230..240V, 50/60Hz, AC
- Surge voltage resistance: 6kV 1.2/50µs

#### Dimensions, Weight

- Diameter: 530mm
- Height: 695mm
- Weight: 7.8kg

#### Light emission

- Light emission: < 3%

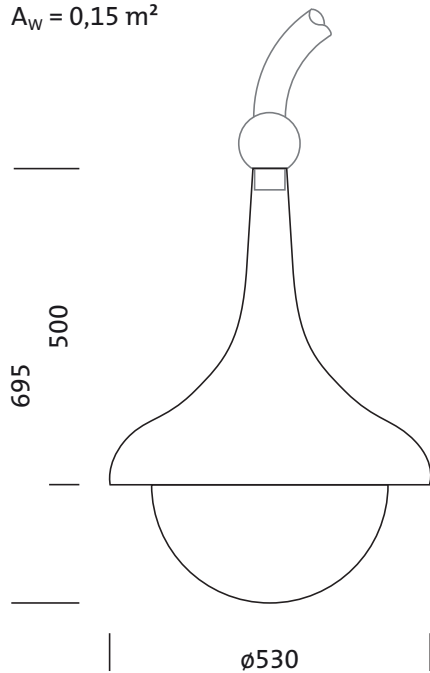
#### Service life

- Rated service life: 80000h (L96/B10) at AT = 25°C

Order No.: 5XA1563E1B208 | GTIN (EAN): 4058352168134

Dimensions: LgBell,ST1.2a,LED3210lm730,Plus

$A_w = 0,15 \text{ m}^2$



It is mandatory that the assembly instructions must be observed when planning and installing the electrical installation (to be found at [www.siteco.de](http://www.siteco.de))

Tolerances related to thermal, electrical and photometric data according to IEC 62722

Issued 16.02.2024 - Modifications and errors subject to change - Ensure that you always use the latest version -