

Order No.: 5XA51283WR008P | GTIN (EAN): 4058352271940

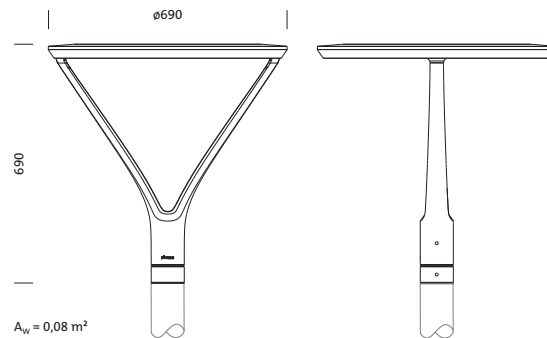
Product description: DL20,P1.0a,4240lm730,Plus



DL® 20, mast luminaire, primary light control with cycle path optic, highly specular, primary optical cover: cover, of toughened safety glass of clear glass with excellent transmission level, light distribution: P1.0a, light emission: direct distribution, primary light characteristic: asymmetric, installation type: post-top, LED, High Power LED, rated luminous flux: 4.240lm, luminous efficacy: 81lm/W, light colour: 730, colour temperature: 3000K, control gear: ECG Plus, control: overheat protection, power reduction, digital communication interface, constant luminous flux control, time-dependent luminous flux control, flexible luminous flux parameterisation, electronic power reduction, mains connection: 230..240V, 50/60Hz, connection cable pre-assembled, cable length: 5m, start of lifetime: 53W, end of service life: 54W, reduction: 24W, luminaire housing, upper part, of cast aluminium, powder-coated, Siteco® metallic grey (DB 702S), diameter: 690mm, height: 690mm, spigot size: 76mm (post-top), luminaire housing, of cast aluminium, powder-coated, Siteco® metallic grey (DB 702S), equipment: Power, protection rating (complete): IP66, insulation class (complete): insulation class II (safety insulation), certification: CE, ENEC, VDE, impact resistance: IK08, permissible operating ambient temperature: -25..+30°C, standard-compliant lighting for roads and squares, packaging unit: 1 piece



Lamps:	LED
Wt. (kg):	13.5
GTIN (EAN):	4058352271940



Order No.: 5XA51283WR008P | GTIN (EAN): 4058352271940

Detailed technical description: DL20,P1.0a,4240lm730,Plus



#### Key data

- Product type: mast luminaire
- Product name: DL® 20
- Order No.: 5XA51283WR008P

#### Lighting technology | Lamps | Control gear

#### Component 1

#### Lighting technology:

- Light control: cycle path optic, highly specular
- Cover: cover
- Light distribution: P1.0a
- Beam angle: extremely wide distribution
- Symmetry: asymmetric distribution
- Light emission: direct distribution

#### Lamps:

- Lamps: with High Power LED, LED
- Rated luminous flux: 4240lm
- Luminous efficacy: 81lm/W
- Colour temperature: 3000K
- Colour rendering index: CRI > 70
- Light colour: 730
- SDCM (Standard Deviation of Colour Matching): MacAdam ≤ 5 SDCM (initial)
- Rated input power begin service life: 53
- Rated input power end service life: 54
- Rated input power at 50% lumin. flux: 24

#### Operating device:

- Control gear: ECG Plus
- Control: Plus
- Equipment: overheat protection, power reduction, digital communication interface, constant luminous flux control, time-dependent luminous flux control, flexible luminous flux parameterisation
- Switching method: electronic power reduction

#### Certificates, Standards

- Protection rating: IP66
- Insulation class: insulation class II (safety insulation)
- Impact resistance: IK08
- Temperature range (operation): -25..+30°C
- Supplement: standard-compliant lighting for roads and squares
- Certification, designation: CE, ENEC, VDE

#### Material, Colour

- luminaire housing, upper part: cast aluminium, powder-coated, Siteco® metallic grey (DB 702S)
- Colour specification: Siteco® metallic grey (DB 702S)
- luminaire housing: cast aluminium, powder-coated, Siteco® metallic grey (DB 702S)
- Colour specification: Siteco® metallic grey (DB 702S)
- Cover: cover of toughened safety glass of clear glass with excellent transmission level

#### Mounting

- Mounting method, mounting location: post-top, on mast

#### Electrical connection

- Nominal voltage: 230..240V, 50/60Hz
- Surge voltage resistance: 6kV 1.2/50µs
- Connection cable: pre-assembled, L= 5m

#### Dimensions, Weight

- Diameter: 690mm
- Height: 690mm
- Weight: 13.5kg
- Mast spigot: spigot size: 76mm

#### Light emission

- Light emission: 0%

#### Service life

- Rated service life: 100000h (L95/B10) at AT = 25°C

Order No.: 5XA51283WR008P | GTIN (EAN): 4058352271940

Dimensions: DL20,P1.0a,4240lm730,Plus

