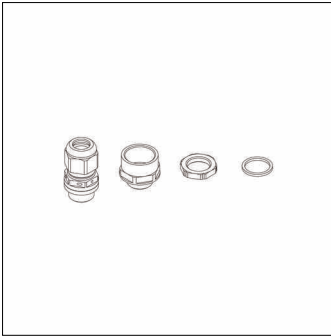


Order No.: 58FT005 | **GTIN (EAN):** 4058352410370

Product description: Mon11/21,clim.cablegl

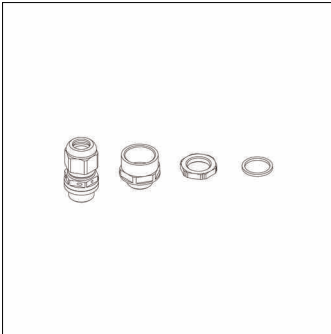


Monsun® 11/21, cable infeed, cable gland with climate membrane, of PA / EPDM / ePTFE / silicone, grey, for cables, Ø 9..17mm, packaging unit: 1 piece

Wt. (kg): 0.1
GTIN (EAN): 4058352410370

Order No.: 58FT005 | GTIN (EAN): 4058352410370

Detailed technical description: Mon11/21,clim.cablegl



Key data

- Product type: cable infeed
- Product name: Monsun® 11/21
- Order No.: 58FT005

Material, Colour

- cable gland with climate membrane: PA / EPDM / ePTFE / silicone, grey, for cables, Ø 9..17mm
- Colour specification: grey

Dimensions, Weight

- Weight: 0.1kg