

Order No.: 5XA7671C2C1AC | GTIN (EAN): 4058352220696

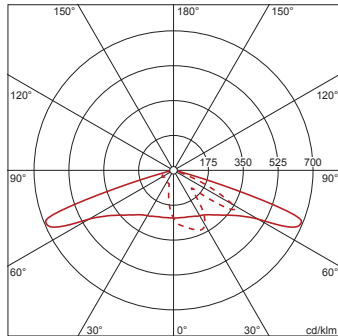
Product description: FL20mn,PL61,12430lm740,Basic,bracket



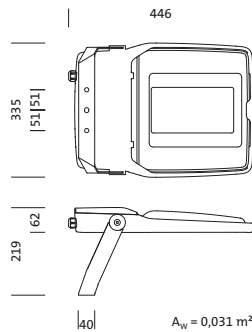
Floodlight FL 20 mini, floodlight, primary light control with lens, of plastic, primary optical cover: protective disc, of toughened safety glass, transparent, light distribution: PL61, light emission: direct distribution, primary light characteristic: asymmetric, installation type: surface-mounted, LED, High Power LED, rated luminous flux: 12.430lm, luminous efficacy: 130lm/W, light colour: 740, colour temperature: 4000K, control gear: ECG Basic, control: power reduction, overheat protection, electronic power reduction, with terminal, 5-pole, max. 2.5mm², mains connection: 220..240V, AC, 50/60Hz, rated input power: 96W, LED unit, of diecast aluminium, powder-coated, Siteco[®] metallic grey (DB 702S), corrosivity category C5 mid according to DIN EN ISO 12944, incl. 1x M20 cable gland for cable Ø 6.5..12mm, length: 446mm, width: 355mm, height: 62mm, housing frame, of diecast aluminium, powder-coated, Siteco[®] metallic grey (DB 702S), mounting bracket, of steel, powder-coated, Siteco[®] metallic grey (DB 702S), ON/OFF, protection rating (complete): IP66, insulation class (complete): insulation class I (protective earthing), certification: CE, ENEC, VDE, protection symbol: D, permissible operating ambient temperature: -40..+40°C, permissible operating ambient temperature for outdoor applications: -40..+50°C, standard: DIN EN 12944, packaging unit: 1 piece

4058352220696
5XA7671C2C1AC

LED 4000K / CRI ≥ 70 ϕ_h 12430 lm



Lamps:	LED
Wt. (kg):	6.6
GTIN (EAN):	4058352220696



It is mandatory that the assembly instructions must be observed when planning and installing the electrical installation (to be found at www.siteco.de)

Tolerances related to thermal, electrical and photometric data according to IEC 62722

Issued 08.05.2024 - Modifications and errors subject to change - Ensure that you always use the latest version -

Order No.: 5XA7671C2C1AC | GTIN (EAN): 4058352220696

Detailed technical description: FL20mn,PL61,12430lm740,Basic,bracket



Key data

- Product type: floodlight
- Product name: Floodlight FL 20 mini
- Order No.: 5XA7671C2C1AC

Lighting technology | Lamps | Control gear

Component 1

Lighting technology:

- Light control: lens of plastic
- Cover: protective disc, transparent
- Light distribution: PL61
- Symmetry: asymmetric distribution
- Light emission: direct distribution

Lamps:

- Lamps: with High Power LED, LED
- Rated luminous flux: 12430lm
- Luminous efficacy: 130lm/W
- Colour temperature: 4000K
- Colour rendering index: CRI > 70
- Light colour: 740
- Rated input power: 96W

Operating device:

- Control gear: ECG Basic
- Control: Basic
- Equipment: overheat protection, power reduction
- Switching method: electronic power reduction

Certificates, Standards

- Protection rating: IP66
- Insulation class: insulation class I (protective earthing)
- Protection symbol: D
- Temperature range (operation): -40..+40°C
- Standard: DIN EN 12944
- Corrosion protection: corrosivity category C5 mid according to DIN EN ISO 12944
- Certification, designation: CE, ENEC, VDE

Material, Colour

- LED unit: diecast aluminium, powder-coated, Siteco® metallic grey (DB 702S), incl. 1x M20 cable gland for cable Ø 6.5..12mm
- Colour specification: Siteco® metallic grey (DB 702S)
- housing frame: diecast aluminium, powder-coated, Siteco® metallic grey (DB 702S)
- Colour specification: Siteco® metallic grey (DB 702S)
- mounting bracket: steel, powder-coated, Siteco® metallic grey (DB 702S)
- Colour specification: Siteco® metallic grey (DB 702S)
- Cover: protective disc of toughened safety glass

Mounting

- Mounting method, mounting location: surface-mounted, to supporting structure, to the cross arm, to the wall
- Arrangement: single arrangement
- Supplement: with mounting bracket

Electrical connection

- Connection: terminal, 5-pole, max. 2.5mm²
- Nominal voltage: 220..240V, 50/60Hz, AC
- Surge voltage resistance: 30kV 1.2/50µs

Dimensions, Weight

- Length: 446mm
- Width: 355mm
- Height: 62mm
- Weight: 6.6kg

Light emission

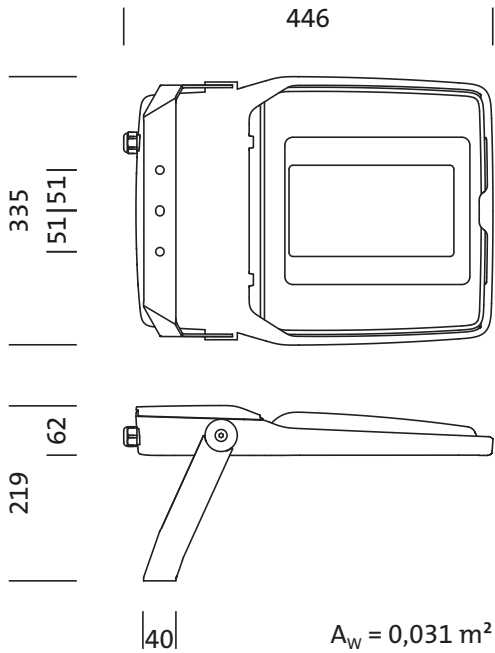
- Light emission: 0% at 0° inclination

Service life

- Rated service life: 100000h (L97/B10) at AT = 25°C, 50000h (L98/B10) at AT = 25°C

Order No.: 5XA7671C2C1AC | GTIN (EAN): 4058352220696

Dimensions: FL20mn,PL61,12430lm740,Basic,bracket

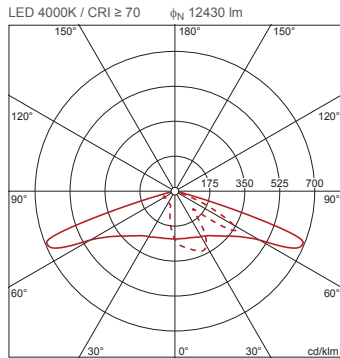


Order No.: 5XA7671C2C1AC | GTIN (EAN): 4058352220696

Planning data: FL20mn,PL61,12430lm740,Basic,bracket

5XA7671C2C1AC: 1x LED
4000K / CRI \geq 70

4058352220696
5XA7671C2C1AC



— C 0/180 - - - C 90/270

Luminous intensity class according to
EN13201-2: G3